

Read Function



43.75µm



More Accessible

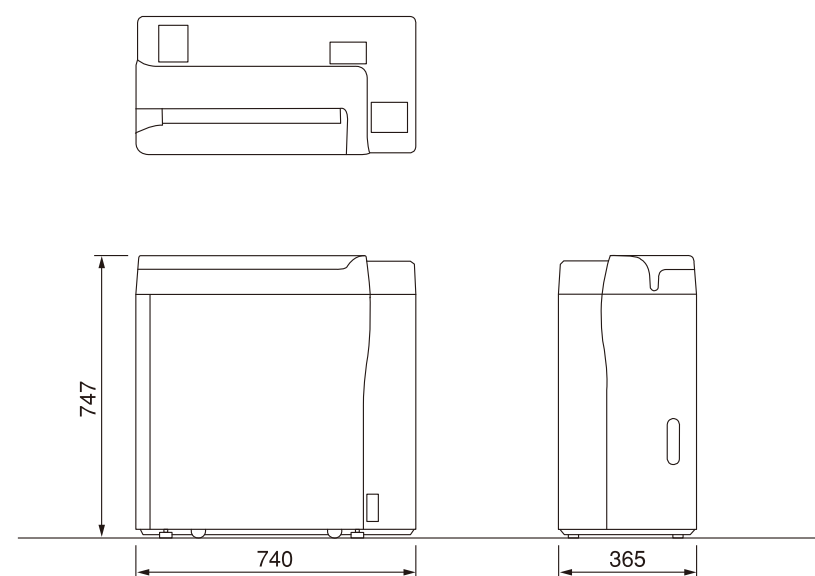
- Sophisticated, exquisite form.
- Space-saving design in a compact size.
- Sufficient throughput for higher department efficiency.
- Dramatically evolved new Regius maintaining high-quality diagnostic images.
- A CR that is this accessible is hard to find.

Direct Digitizer REGIUS MODEL 110 HQ

- Exposure Size**
 14"×17" / 14"×14" / 11"×14" / 10"×12" / 8"×10"
 18×24cm / 24×30cm / 15×30cm and other sizes
- Sampling Pitch**
 3Types 87.5 / 175µm / 43.75µm* for Mammography
- Maximum Resolution**
 4020 × 4892 (14" × 17" / 87.5 µm)
 5440 × 6776 (24 × 30cm / 43.75 µm)
- Digital Gradation Level**
 4096 levels (12 bit)
- Processing Capacity**
 approx. 80 plates / hour (14" × 14" / 175 µm)
 approx. 61 plates / hour (14" × 14" / 87.5 µm)
- Outer Dimensions / Weight**
 W740 × D365 × H747mm / approx. 100kg
- Power Consumption**
 AC100 / 110 / 115 / 120 / 200 / 220 / 230 / 240 V ±10%
 50 / 60 Hz approx. 0.8kVA
- Operating Conditions**
 Temperature : 15-30°C
 Humidity : 35-80%RH (no condensation)

*Option Licence

REGIUS MODEL 110 HQ Outer Dimensions



Unit : mm 1/20 scaled

★Specifications are subject to change without prior notice.



KONICA MINOLTA

DIRECT DIGITIZER REGIUS MODEL 110 HQ

HIGH QUALITY and MAMMOGRAPHY



KONICA MINOLTA, INC.
 1 Sakura-machi, Hino-shi, Tokyo, 191-8511, Japan

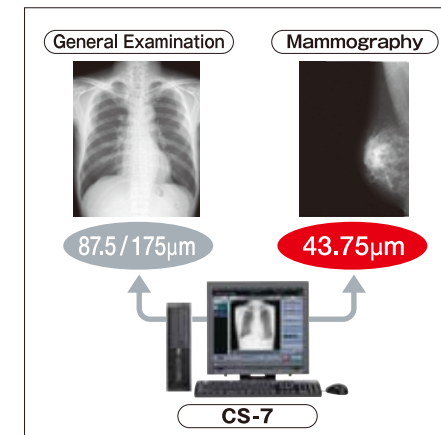
Distributed by :

Compact and space-saving REGIUS MODEL 110 HQ is now supporting a high resolution read function for mammography.

On the very day of introduction, new workflow starts. It's the dawn of a clean, comfortable, and human- and environment-friendly new life without having to work in a darkroom, exchange liquid waste, or clean the process tank.



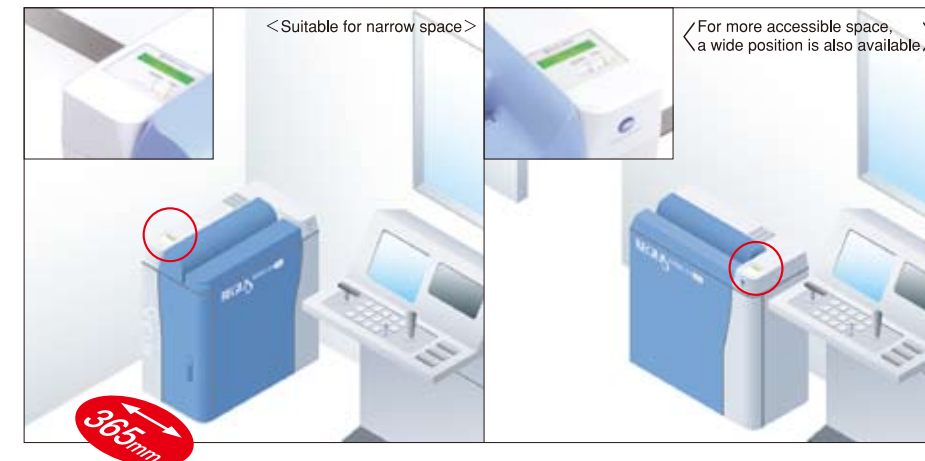
43.75µm Read Function



43.75 µm read capacity for mammography

In addition to previous 175 and 87.5µm read capacity, a new 43.75µm read function for mammography has been added. In mammography, highly valuable images are now available with higher resolution. Furthermore, ultra-high resolution imaging has been achieved by employing C-PLATE for mammography with excellent sharpness and granularity. Mammography cassette can be handled in the same manner as for previous standard cassette, providing the same operability.

Flexible Placement Options



Compact Design with the Smallest Depth of 365mm

The Regius Model 110 HQ features an astonishingly compact design with a footprint of only 0.27m². The two-way setting method allows selection of two patterns of layout depending on the use environmentally friendly. These proposals prove that we truly understand customer use environments.



Compact

The Regius Model 110 HQ delivers processing performance of 80 sheets/hour. This is the smallest, top-of-the-line Regius model with both compact design.

Entirely Simple, Comfortable Operability

The Regius Model 110 HQ allows for easy operation with the simple installation of an exposed cassette. The height of the cassette slot is 710 mm. Easy cassette installation is achieved. Continue to use existing cassettes for the Regius 170/190 as exposure cassettes.

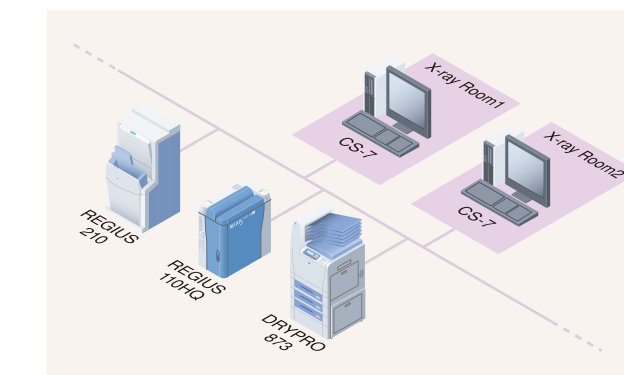
* Only cassette & plate which was produced after April, 2004 can be used.



REGIUS console CS-7 corresponding to customer satisfaction for mammography.

Professional Model CS-7 with User Customization Function

CS-7 are highly regarded for their intuitiveness and simplicity. CS-7 provides the user flexibility in system configuration needed to create the ideal workflow. And the unit is also equipped with a User Tool that gives complete freedom to customize image settings.



H I G H - Q U A L I T Y