



KONICA MINOLTA

LASER IMAGER

DRYPRO ΣII



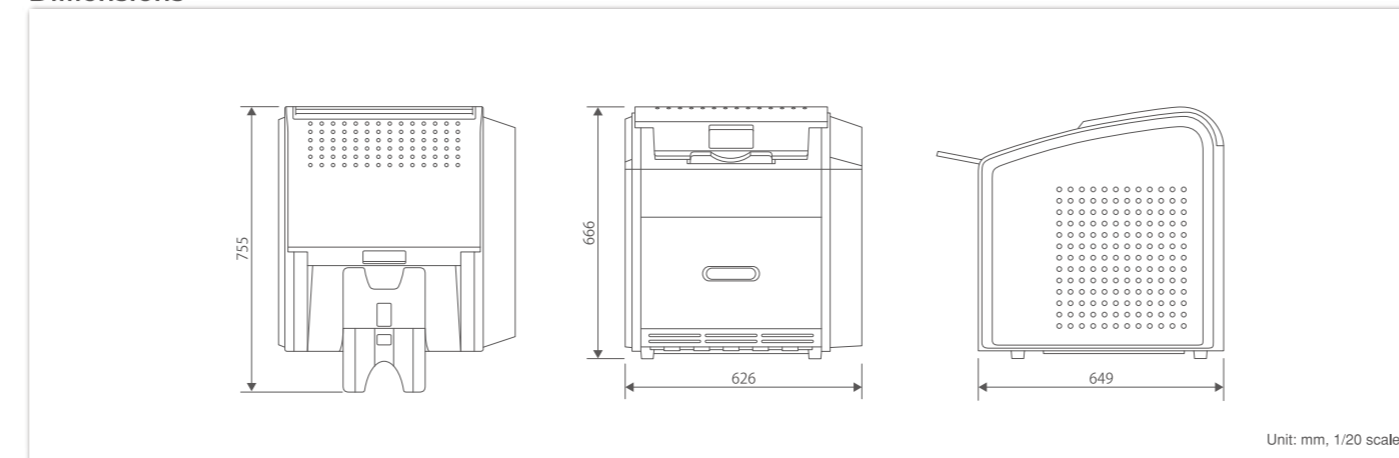
Giving Shape to Ideas

LASER IMAGER DRYPRO ΣII

Specification of DRYPRO SIGMA 2

Exposure source	Semiconductor laser
Processing method	Thermal development system
Film	Dry-imaging recording film SD-S 125 sheets per cartridge
Processing capacity	14" × 17" sheets: approximately 70 sheets/hour 8" × 10" sheets: approximately 110 sheets/hour
Pixel size	50 μm (508 dpi)
Network connection	Ethernet 10 BASE-T/100BASE-T/1000BASE-T
Film supply	Daylight setting
Number of supply trays	2ch (Any size 14" × 17", 11" × 14", 10" × 12", 8" × 10") are available
Film size	Selectable: 14" × 17" (35 × 43 cm), 11" × 14" (28 × 35 cm), 10" × 12" (25 × 30 cm), or 8" × 10" (20 × 25 cm)
Density adjustment	Available
Output grades	14 bit (16384 grades)
Trimmed frame	Available
Border	Black/Clear
Network connectivity	DICOM Print Management SCP
Power	90-130 V (50/60 Hz), 9 A 180-264 V (50/60 Hz), 4.5 A
Dimensions (W × D × H)	626 × 649 × 666 mm (24.6" × 25.5" × 26.2")
Weight	79 kg
Operating environment	Temperature: 15-33°C Humidity: 20-80% RH, non-condensing

Dimensions



Unit: mm, 1/20 scale

Brand Name : DRYPRO ΣII
Type : LASER IMAGER
Model : DRYPRO SIGMA 2

*To facilitate performance improvement, the above specifications are subject to change without notice.

Distributed by :



KONICA MINOLTA, INC.
1 Sakura-machi, Hino-shi, Tokyo, 191-8511, Japan

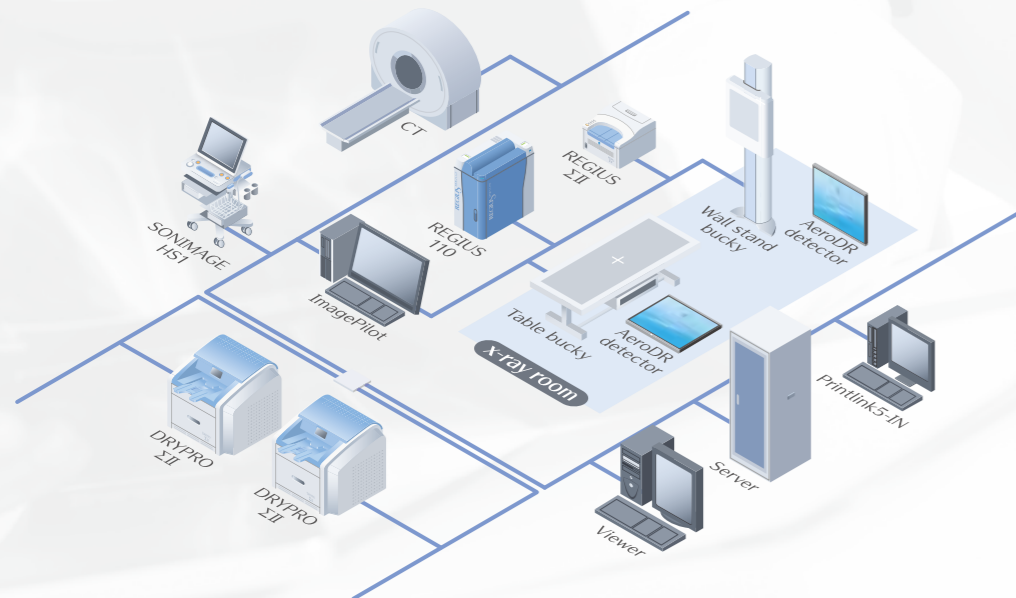
DRYPRO ΣII package

The DRYPRO ΣII package is easy to purchase and use. Konica Minolta provides the best solutions for hospitals and clinics, and offers a variety of products to suit your needs.



Network functions designed for open and flexible environments

DRYPRO ΣII is a networked imager capable of connecting directly to DICOM print compliant devices. In addition to DICOM basic grayscale print functions, DRYPRO ΣII supports Presentation LUT, which enables printed film to more accurately match diagnostic monitors.



50 μm



Konica Minolta has satisfied the strong demand of the medical imaging industry, as the new “DRYPRO ΣII” dry imager provides optimal diagnostic images. DRYPRO ΣII creates images of unrivalled clarity and sharpness, utilizing the latest precision optics from Konica Minolta to produce a 50- μm pixel pitch; the highest available resolution.



DRYPRO ΣII

High Image Quality & Compact Laser Imager

High-quality images

A semiconductor laser is used to produce a 50- μm pixel pitch, resulting in high image resolution. Powerful image-processing algorithms are utilized to simultaneously optimize both the image smoothness and the text sharpness. Diagnostic clarity is preserved and patient data are always legible, regardless of the print size.



Stable finished quality

The DRYPRO ΣII density control function maintains the output density via automatic measurement. The system also automatically calibrates whenever a tray of film with a new lot-number is loaded.

Calibration sheet



User-friendly design

DRYPRO ΣII is easy to operate and offers intuitive usability. Film exchange requires simple cartridge insertion. The innovative cartridges allow easy film-size adjustment and support various modalities.



Space-saving design

DRYPRO ΣII is a desktop 2-ch imager. It features a compact footprint as small as 65 × 63 cm², and is designed to integrate into various hospital and clinic.



Four film sizes and two trays

Four DRYPRO ΣII film sizes are available: 14 × 17, 11 × 14, 10 × 12, and 8 × 10. Two film sizes can be used simultaneously, for example, 14 × 17 and 11 × 14, or 14 × 17 and 8 × 10.



● Storing and handling unused film
Following confirmation that the film is packed, unused film (like ordinary film) should be stored in a cool, dark place (25°C or below), where it will not be affected by radiation.

